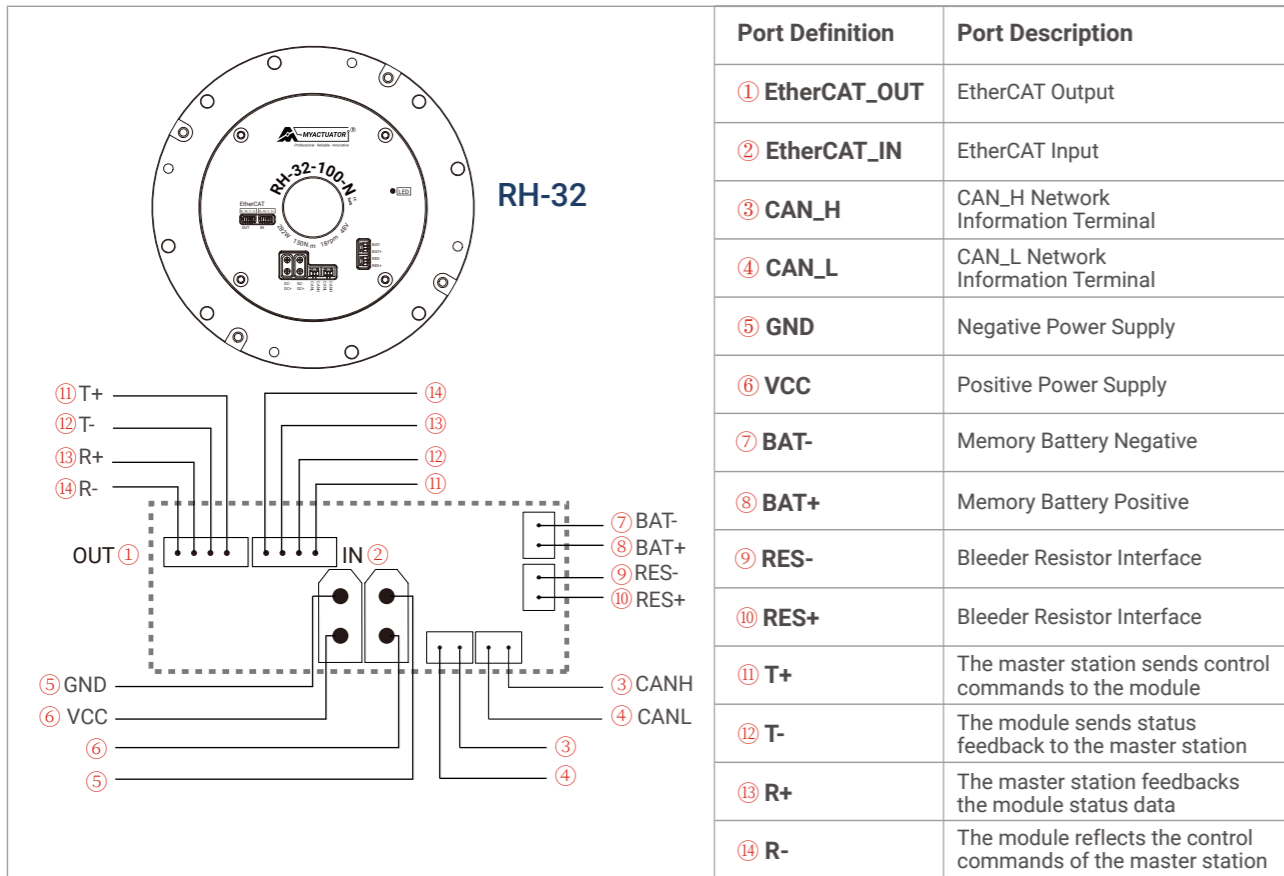
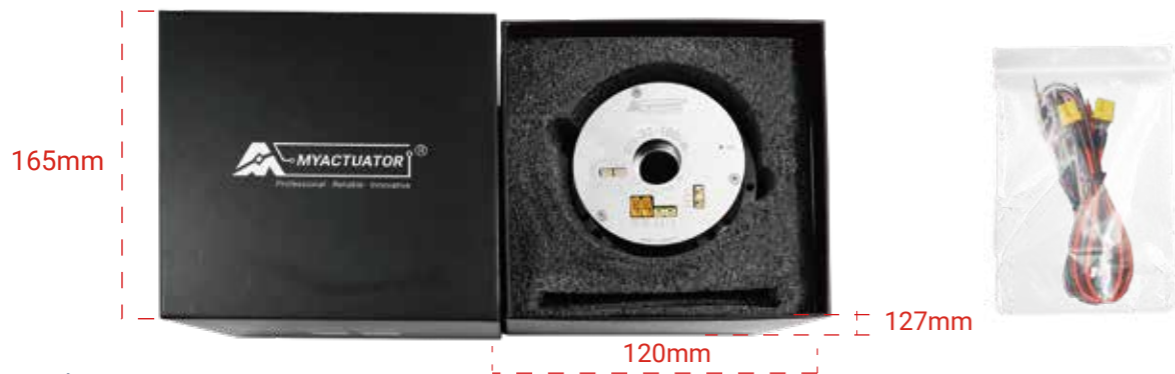


RH-32 Interface Description



RH-32 Packaging Information



List:

- A. Power Supply Cable *2
- B. CAN BUS Communication Cable *4
- C. 120Ω Terminal Resistance *1
- D. EtherCAT Communication Cable *2
- E. CAN BUS Communication Module *1 (For each order, there will be a free USB-CAN adapter. If need more, please contact sales to buy.)

RH-32 Accessories Marking Instructions

